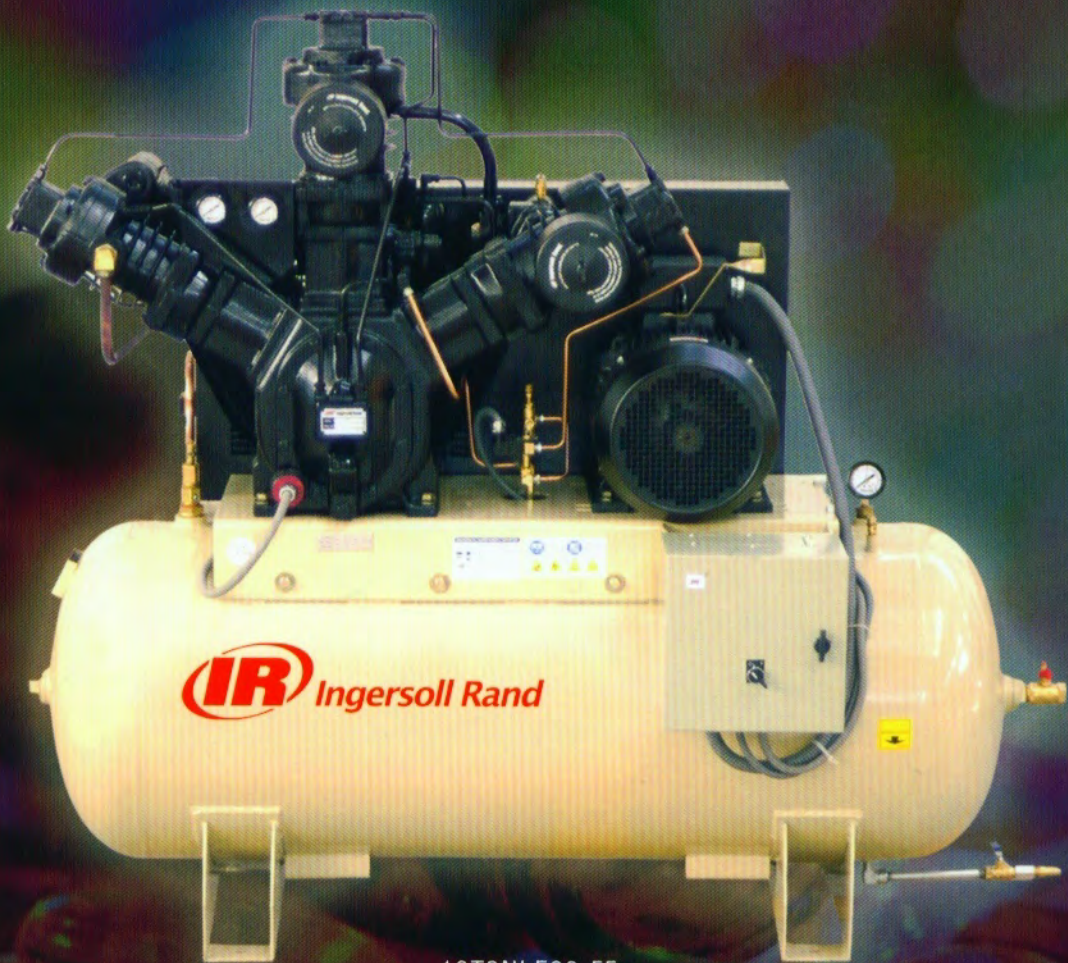


NON-LUBRICATED AIR COOLED RECIPROCATING AIR COMPRESSORS

STANDARD & PREMIER PACKAGE



10T3NLE20-FF

T30

T30 Series Non-Lubricated Air Compressors

- T30 Non-Lubricated Air Compressor is one of the many patented products designed and built by Ingersoll Rand over last 75 years. T30 Single and Two Stage Non-Lubricated Air Compressors provide high quality compressed air where lubricant carryover is less than 0.01ppm that meets the international advanced standards.

T30 Non-Lubricated Air Compressors Have Many Features & Advantages

- Compact in Design
- Low Noise
- Less Vibration
- Efficient Cooling System
- Simple and Easy to Install
- No Foundation Required
- Readily for Use and Operate

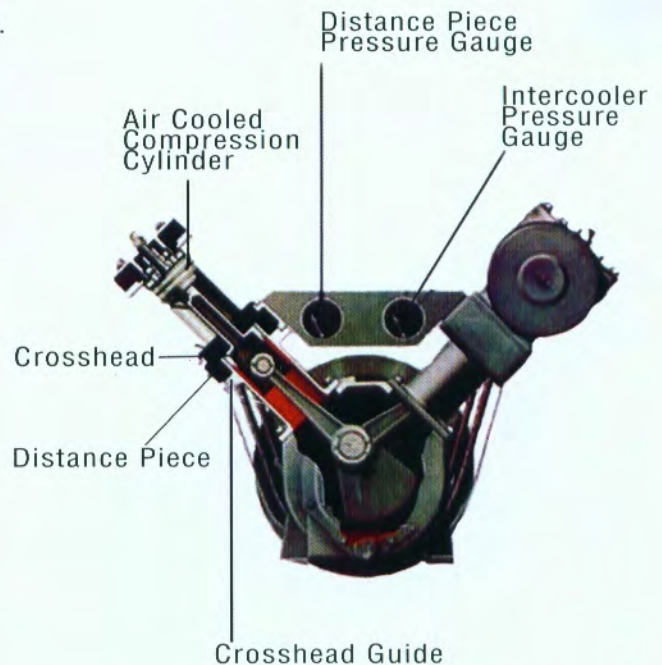


T30 Non-Lubricated Air Compressors are Widely Used in Many Industries Selected

- Pharmaceuticals
- Petroleum Industry
- Instrumentation
- Food Processing
- Building Materials
- Electronics
- Nitrogen, Air Separation
- Textile Industry
- Light Industry
- Tobacco Industry
- Hospitals
- Chemical Industry
- Spray Painting
- Feed Processing

Features

- **Unique NL Cylinder Design**
Crosshead and pressurized distance piece keeps oil out of air cylinder space.
Self-lubricating piston rings prevent metal to metal contact with good sealing and low friction.
- **Stainless Steel Valves**
Service-proved finger and ring valve with hardened stainless steel wearing parts assure long trouble-free operation in non-lubricated service.
- **Distance Piece Pressure Gauge**
Excessive distance piece pressure indicates piston rings wear without costly tear-down inspection.
- **Intercooler Pressure Gauge**
High interstage pressure alerts the operator when valve maintenance is required without costly tear-down. Both gauges save on down time and costly inspections.



Main Features

- Heavy Cast Iron Design
- Greater Reliability
- Long Term Durability
- Premium Quality
- Efficient Cooling System
- Powder Coat Painting Enhances Antirust



5T2NLC7



10T3NLE22

NON-LUBRICATED AIR COMPRESSORS PERFORMANCE DATA AND DIMENSIONS.

Model	Motor Horsepower		Speed RPM	Piston Displacement		Free Air Delivery		Receiver Size		Dimension			Weight	
	HP	Kw		cfm	l/min	cfm	l/min	Gal	Litres	Length	Width	Height	Kg	Lb
HORIZONTAL RECEIVER UNIT - 8.6BARG														
23ANLK2	2.0	1.5	720	8.1	230	4.3	122	40	150	1410	x 535	x 1080	210	463
5T2NLC5	5.5	4.1	635	26.4	748	17.8	504	60	230	1650	x 650	x 1340	407	898
5T2NLC7	7.5	5.6	780	37.2	1053	21.8	617	60	230	1650	x 650	x 1340	417	920
5T2NLD10	10.0	7.5	930	44.3	1255	26.0	736	80	303	1840	x 700	x 1340	445	982
10T3NLE15	15.0	11.2	790	67.1	1900	45.8	1297	120	445	1860	x 930	x 1650	732	1614
10T3NLE20	20.0	14.9	960	81.9	2320	55.7	1578	120	445	1860	x 930	x 1650	745	1642
HORIZONTAL RECEIVER UNIT - 8.6BARG														
5T2NLC7-FF	7.5	5.6	780	37.2	1053	21.8	617	60	230	1650	x 650	x 1340	430	948
5T2NLD10-FF	10.0	7.5	930	44.3	1255	26.0	736	80	303	1840	x 700	x 1340	460	1014
10T3NLE15-FF	15.0	11.2	790	67.1	1900	45.8	1297	120	445	1860	x 930	x 1650	750	1654
10T3NLE20-FF	20.0	14.9	960	81.9	2320	55.7	1578	120	445	1860	x 930	x 1650	762	1680
BASEPLATE UNIT - 8.6BARG														
23ANLXB2	2.0	1.5	720	8.1	230	4.3	122	-	-	850	x 440	x 630	96	212
5T2NLC7	5.5	4.1	635	26.4	748	17.8	504	-	-	1280	x 730	x 810	257	567
5T2NLC7	7.5	5.6	780	37.2	1053	21.8	617	-	-	1280	x 730	x 810	267	589
5T2NLC7	10.0	7.5	930	44.3	1255	26.0	736	-	-	1420	x 730	x 810	291	642
10T3NLC15	15.0	11.2	790	67.1	1900	45.8	1297	-	-	1450	x 800	x 1030	492	1085
10T3NLC20	20.0	14.9	960	81.9	2320	55.7	1578	-	-	1450	x 860	x 1030	505	1114
BASEPLATE UNIT - 8.6BARG														
5T2NLC7-FF	7.5	5.6	780	37.2	1053	21.8	617	-	-	1280	x 730	x 810	280	617
5T2NLC10-FF	10.0	7.5	930	44.3	1255	26.0	736	-	-	1420	x 730	x 810	306	675
10T3NLC15-FF	15.0	11.2	790	67.1	1900	45.8	1297	-	-	1450	x 800	x 1030	510	1125
10T3NLC20-FF	20.0	14.9	960	81.9	2320	55.7	1578	-	-	1450	x 860	x 1030	522	1151

NON-LUBRICATED AIR COMPRESSORS SCOPE OF SUPPLY.

Model	Starter	Beltguard	Aircooled Aftercooler	Low Oil Level Switch	Pressure Switch	Auxiliary Valve	Safety Valve (Tank)	Safety Valve (C/V)
HORIZONTAL RECEIVER UNIT - 8.6BARG								
23ANLK2	DOL	Wired	N	N	Y	N	Y	Y
5T2NLC5	DOL	Wired	N	N	Y	N	Y	Y
5T2NLC7	DOL	Wired	N	N	Y	N	Y	Y
5T2NLD10	DOL	Wired	N	N	Y	N	Y	Y
10T3NLE15	DOL	Wired	N	N	Y	Y	Y	Y
10T3NLE20	SDS	Wired	N	N	N	Y	Y	Y
HORIZONTAL RECEIVER UNIT - 8.6BARG								
5T2NLC7-FF	DOL	Sheetmetal	Y	Y	Y	N	Y	Y
5T2NLD10-FF	DOL	Sheetmetal	Y	Y	Y	N	Y	Y
10T3NLE15-FF	SDS	Sheetmetal	Y	Y	N	Y	Y	Y
10T3NLE20-FF	SDS	Sheetmetal	Y	Y	N	Y	Y	Y
BASEPLATE UNIT - 8.6BARG								
23ANLXB2	DOL	Wired	N	N	Y	N	Y	Y
5T2NLC7	DOL	Wired	N	N	Y	N	Y	Y
5T2NLC7	DOL	Wired	N	N	Y	N	Y	Y
5T2NLC7	DOL	Wired	N	N	Y	N	Y	Y
10T3NLC15	DOL	Wired	N	N	N	Y	Y	Y
10T3NLC20	SDS	Wired	N	N	N	Y	Y	Y
BASEPLATE UNIT - 8.6BARG								
5T2NLC7-FF	DOL	Sheetmetal	Y	Y	Y	N	Y	Y
5T2NLC10-FF	DOL	Sheetmetal	Y	Y	Y	N	Y	Y
10T3NLC15-FF	SDS	Sheetmetal	Y	Y	N	Y	Y	Y
10T3NLC20-FF	SDS	Sheetmetal	Y	Y	N	Y	Y	Y



Commerical Air Solutions

Ingersoll Rand S.E.A (Pte) Ltd
42 Benoi Road
Singapore 629903

Ingersoll Rand compressors and downstream accessory equipment are not designed, intended or approved for breathing air applications. Ingersoll Rand does not approve specialized equipment for breathing air applications and assumes no responsibility or liability for compressors used for breathing air service.

Nothing contained with this brochure is intended to extend any warranty or representation, expressed or implied regarding the products described herein. Any such warranties or other terms or conditions of sale of products shall be in accordance with Ingersoll Rand's standard terms and conditions of sale for such products, which are available upon request.

Product improvement is a continuing goal at Ingersoll Rand. Designs and specifications are subject to change without prior notice or obligation.